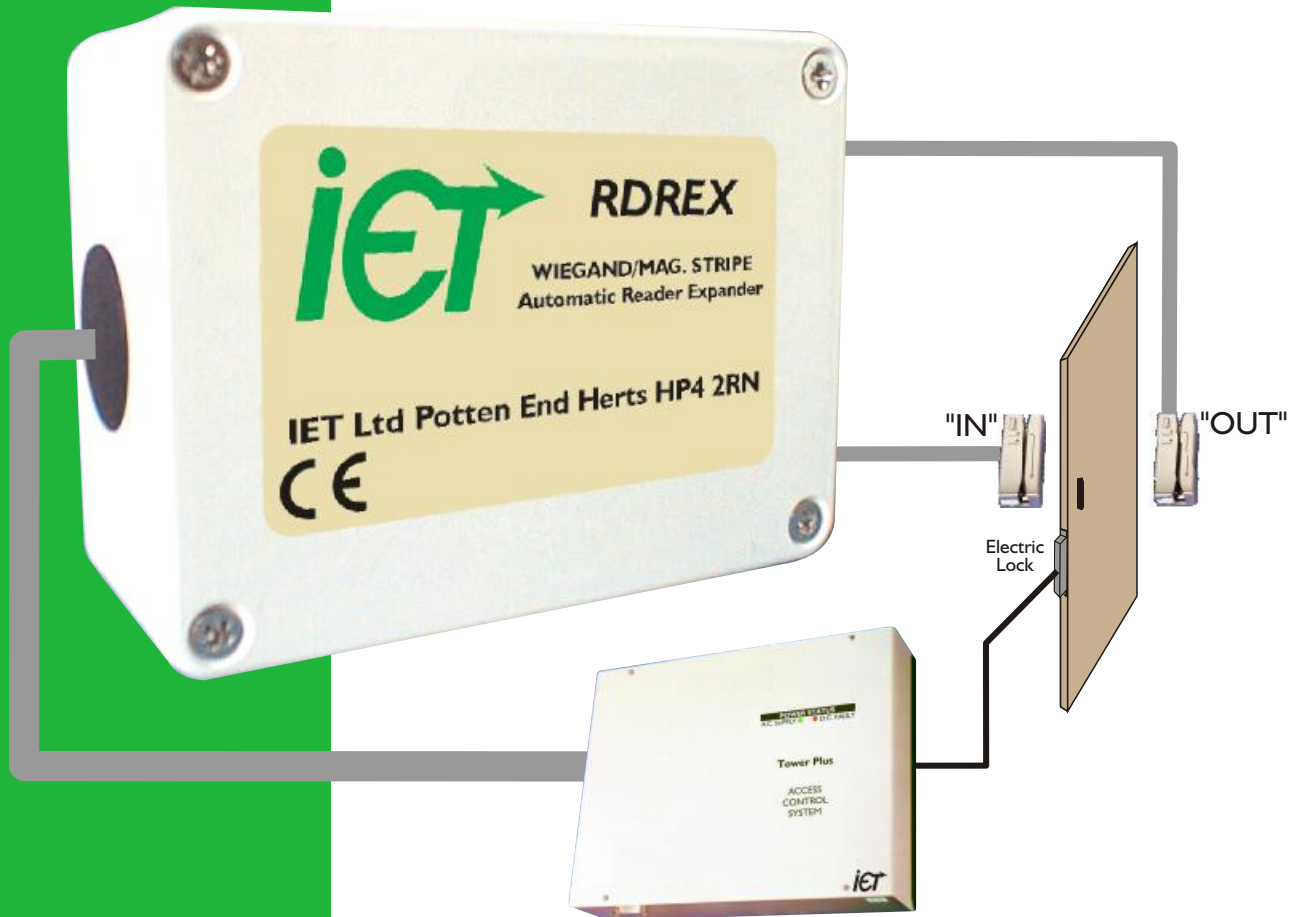




RDREX

Card Reader Port Expander for Tower and Integra systems



- ▶ PROVIDES A DUAL CARD READER CHANNEL ON A SINGLE READER CABLE
- ▶ DOUBLES THE CARD READERS ON ANY CONTROL UNIT
- ▶ USED WITH TOWER AND INTEGRA ACCESS SYSTEMS
- ▶ WORKS WITH ANY CARD FORMAT
- ▶ 3 SECOND BUZZER TIMER FOR FREE ACCESS DOORS
- ▶ WIEGAND AND MAG STRIPE DATA AUTO DETECTION
- ▶ LED INDICATORS FOR EASY INSTALLATION

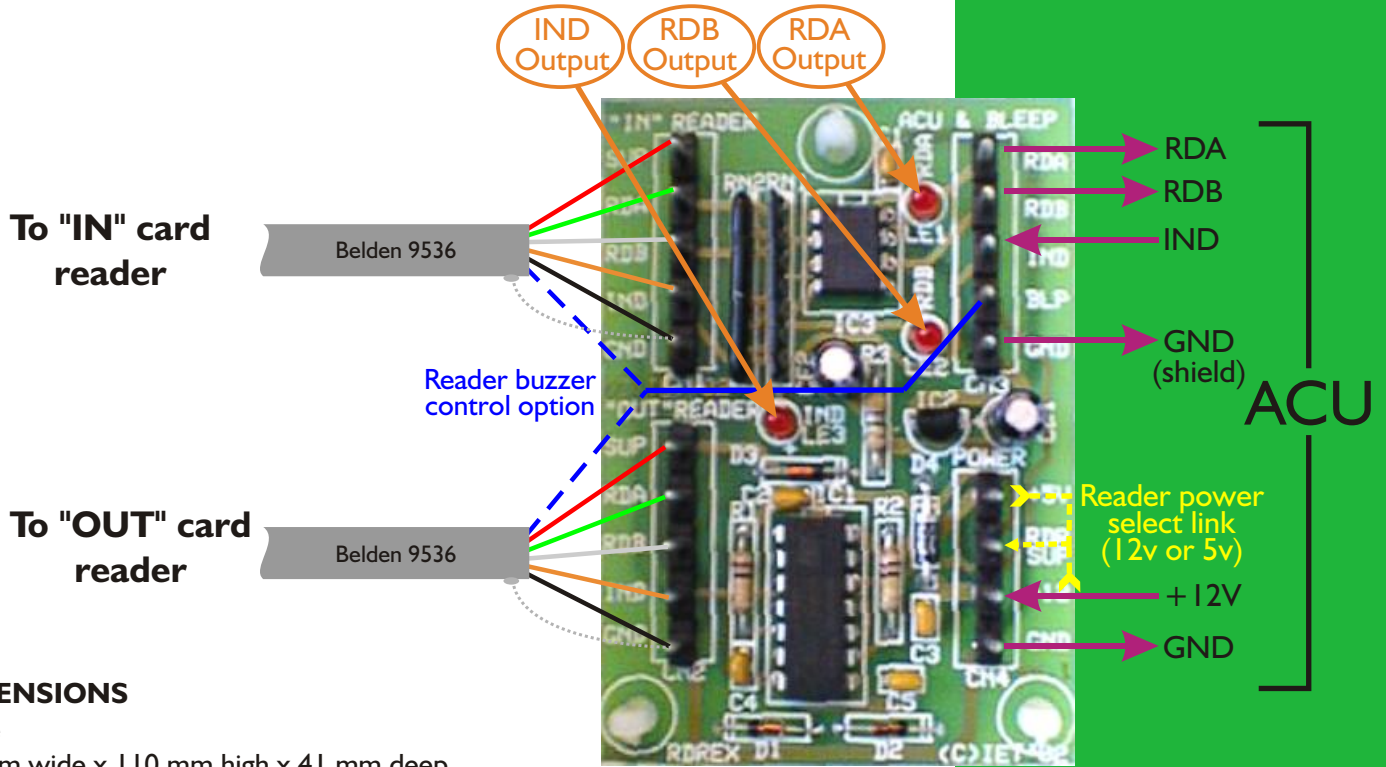
These card reader expanders can be used with any of the I.E.T. Tower or Integra access control system controllers. They can be easily retro fitted to older systems by upgrading the EPROM firmware in the controller. A range of suitable EPROMS are available from I.E.T. All current production units have the firmware support built in.

Existing or new systems can be wired using a *single* card reader cable and locating the RDREX at the door/card reader end thereby saving on cable, making a neater installation and allowing existing users to replace the exit push button with a "swipe out" card reader. High quality removable barrier strip connectors are used throughout. If it is required to mount the unit at the ACU (Access Control Unit) end, this is easily accomplished using the circuit board only and the sticky feet provided. The compact circuit board allows two RDREX circuit boards to be mounted inside a standard Tower Plus enclosure thereby converting it to a true 4 reader 2 door control unit at minimal cost.

The 12 volt module is equipped with a five volt regulator allowing it to supply either five or twelve volt card readers from the single supply line.

An optional three second timer is also provided for controlling the buzzer line to the reader to avoid a continuous tone when a door has been set to be permanently unlocked.

GENERAL TECHNICAL DATA



DIMENSIONS

Case

77 mm wide x 110 mm high x 41 mm deep

Circuit Board

50 mm wide x 70 mm high x 18 mm deep

WEIGHT

RDREX (Including Case) 98 gm

POWER REQUIREMENTS

Input: 10 - 16 volts at 15ma excluding reader power.

On board 5 volt card reader output @ 100 ma total (both readers).

CABLE ENTRY

Via 1 x 20mm blanking plug on lower surface.

CABLE TERMINATION

Via removable barrier strips.

STATUS INDICATION

Via three L.E.D.'s on the circuit board (RDA, RDB and IND).

MOUNTING POSITION

Any using the two internal 4mm fixing holes.

CARD READER INPUT PORTS

1 x "IN" and 1 x "OUT".

OUTPUTS

Single reader channel providing mag. stripe (clock and data) or Wiegand / Proximity (Data 0 and Data 1). Configuration is automatically detected from the incoming reader data stream.

Three second Bleep Timer triggered from ACU indicator (IND) output for use with readers without built in buzzer timers.

Supplied by:

For further information please contact our sales office

**Innovative Electronic
Technology Limited**

IET House, Chestnut Close
Potten End, Herts HP4 2RN

Telephone: 01442 878 777

Facsimile: 01442 878 778

Email: Sales@ietgroup.com

Web site: www.ietgroup.com

Innovative Electronic Technology Ltd. reserves the right to change specifications without prior notice in pursuance of its policy of product development. This document does not form part of a contract or license unless by prior written agreement.

All trade names and trade marks are acknowledged as the property of their respective owners.