

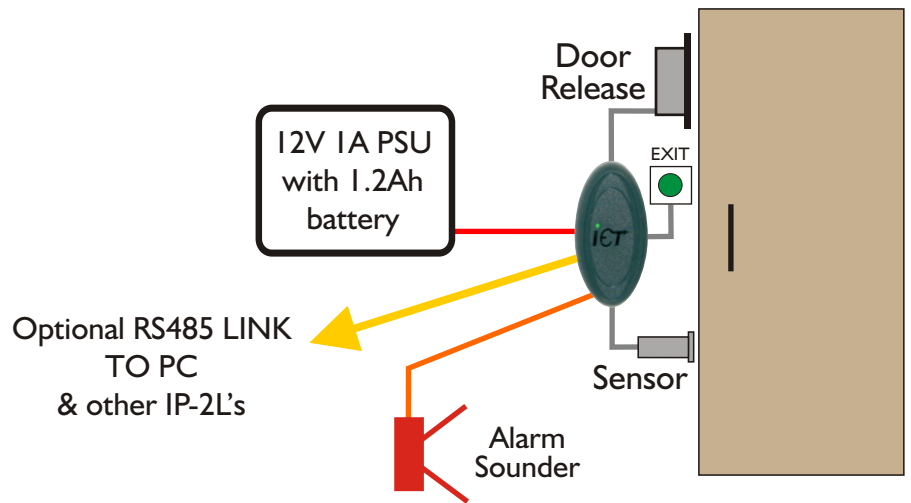
iET



- ▶ 1.0 AMP DOOR LOCK OUTPUT
- ▶ VERY COMPETITIVELY PRICED
- ▶ STYLISH APPEARANCE
- ▶ FULLY ENCAPSULATED
- ▶ DOOR MONITORING
- ▶ INTERNAL BUZZER TIMER
- ▶ TAMPER ALARM
- ▶ ENCRYPTED - MAX SECURITY WITH COPY PREVENTION
- ▶ EXPANDABLE TO ON-LINE VERSION
- ▶ LARGE CARD NUMBERS SO NO SITE CODE REQUIRED

Innoprox Lock Combined RFID Reader and Lock Control System

Single Alone Door Control



Features

Cards and Fobs

May be used with up to 50 low cost passive (no batteries) printable cards and key fobs.

Functions

- 1) Single door entry system (lower security) with door monitoring and optional RS485 connection to PC for programming and monitoring of up to 6 doors.
- 2) When required can be downgraded to an IP-2 proximity card reader providing Wiegand, Magnetic Stripe or RS485 outputs in any format for use with a separate ACU for higher security / large systems.

Rugged design

Encapsulated in a strong, impact resistant polycarbonate enclosure designed to withstand harsh environments, providing reliable performance and a high degree of vandal resistance.

Mounting

This unobtrusive design can be mounted directly onto metal such as door mullions.

Easily interfaced

Programmable door timers and Fail Safe and Fail Secure Locks.
Request to Exit (REX) input.
Wire connections are by miniature screw terminal block.

LED & Buzzer Functions

The multicolor LED and beeper are also controlled by the host system. If the Beeper function is enabled, a built-in 2 second timer allows the buzzer to be used with "Free Access / Toggle Cards" - thus providing a quiet environment even when the door is permanently unlocked.

High Security

Recognizes card formats up to 90 bits long with unique ID's. XTEA encryption keys provide over 18 billion billion differs.
Built-in Tamper, Forced Door, Door Ajar detection for either local or remote alarm indication.

IP2-L General Specification

Typical read range: *

ISO card - 760mm (3.0").

Keyfob - 380mm (1.5").

*May depend on local installation conditions.

Connection

Via an 8 way miniature barrier strip connector

Configuration

Via momentary wire links at power up and a programming card.

Alarm output

Via an open collector sink providing Tamper, Door Forced, Open Too Long. 70mA max.

Cable Distance

RS485 up to 1500 metres.

Dimensions:

104mm x 52mm x 19 mm (4.09" x 2.05" x 0.75").

Weight:

68 gm (2.4 oz).

Colour:

Charcoal

Meets:

EU and CB Scheme Electrical Safety (EN60950 and IEC60950 ITE Electrical Safety)

Fifteen EU Countries under the R&TTE Directive (EN 300 330 - SRD, and ETS 300 683 - EMC) CE Mark

Material:

High Quality Polycarbonate UL 94 with fully encapsulated electronics.

Power Supply

10 - 25 Vdc reverse polarity protected.

Maximum Current Requirements

Reader only average 13 mA, Peak 20 mA @ 13.8 Vdc.

LOCK output up to 1 Amp at 12 or 24 volts in door entry mode.

Operating Temperature

-30° to +65° C

Transmit Frequency

125 kHz

Card or keyfob capacity (non-volatile)

50 (any sized card number) - with or without sitecodes for compatibility.

Programming

Via wire links at power up.

Lock - Fail Safe / Fail Secure

Factory Default.

Beeper Enable / Disable.

IET Standard / Public Encryption Key.

Via programming card.

Add Access Card.

Add Toggle Card.

Delete Card.

Delete All Cards.

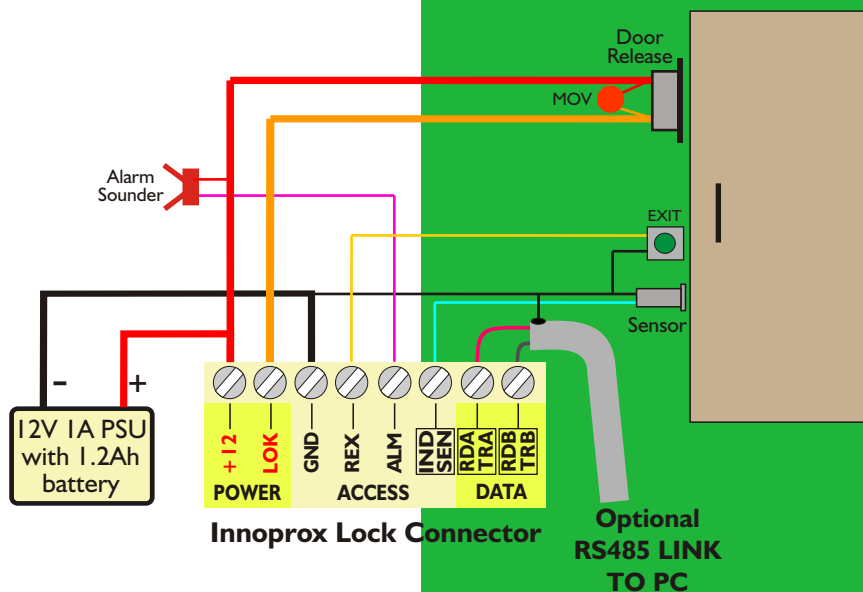
Set Release Time in seconds.

Set Warning (Door Ajar) Time in seconds.

Enable/Disable sounder.

A PC based card and keyfob programmer is also available.

INNOPROX LOCK WIRING



iET

For further information please contact our technical advisors

Innovative Electronic Technology Limited

IET House, Chestnut Close
Potten End, Herts HP4 2RN

Telephone: 01442 878 777

Facsimile: 01442 878 778

Email: Sales@ietgroup.com

Web site www.ietgroup.com

